

Signet 5091 Current Loop Monitor



3-5091.090-1

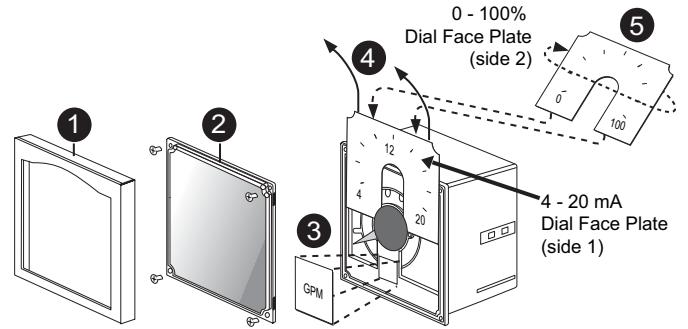
Rev. D 3/06

English

1. Dial Selection

The analog display shows measured current 4 - 20 mA or process percentage 0 - 100%. Meter deflection is fixed from left to right. The instrument is shipped with the 4 - 20 mA dial face plate (4) installed. Reverse the dial face plate for the alternate 0 - 100% scale (5), as desired.

The instrument dial kit (included) contains assorted decals (3) that allow you to identify your process reading. Refer to the illustration for proper dial reversal/decals installation.



2. Wiring

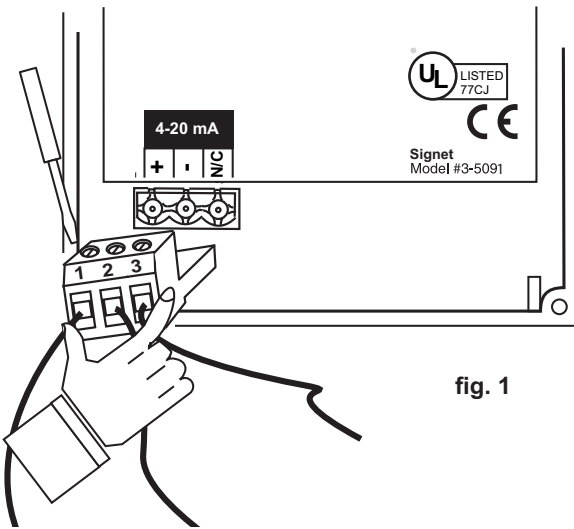


fig. 1

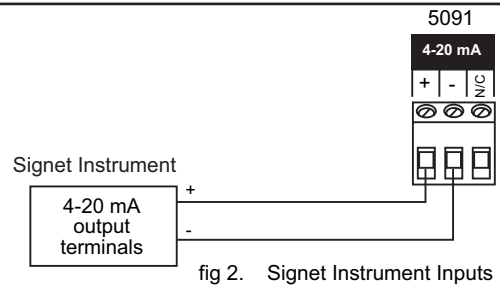


fig 2. Signet Instrument Inputs

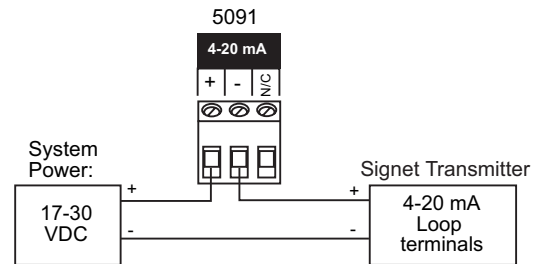


fig. 3. Signet Transmitter Inputs

Technical notes

- Remove terminal block for easy wiring (fig. 1)
- The current output from Signet instruments is internally powered. (fig. 2)
- The current output from Signet Transmitters require external DC power. (fig. 3)
- The 5091 meter movement will be damaged by prolonged exposure to vibration.

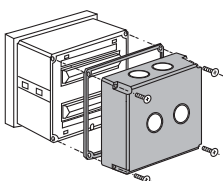
3. Calibration

The Signet 5091 Current Monitor is factory calibrated. Meter deflection is forced to zero with a 4.00 mA current input and is forced to full scale with a 20.00 mA current input. The 5091 meter deflection is not field adjustable. There are no user replaceable components in the 5091. Unauthorized repair attempts may void warranty.

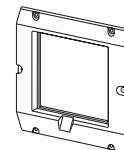
4. Parts and Accessories

There are no user replaceable components in the 5091. Unauthorized repair attempts may void warranty.

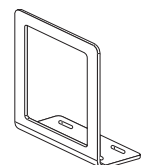
- Front snap-on bezel, #3-5000.525 (code 198 840 226)
- Assorted flow unit/multiplier decal sheet, #3-5091.611 (code 198 869 500)
- 5091 Instruction sheet, #3-5091.090-1 (code 198 869 924)



Splashproof rear cover
#3-5000.395
(code 198 840 227)



5 x 5 inch adapter plate
for Signet retrofit
#3-5000.399
(code 198 840 224)



Optional surface mount
bracket #3-5000.598
(code 198 840 225)

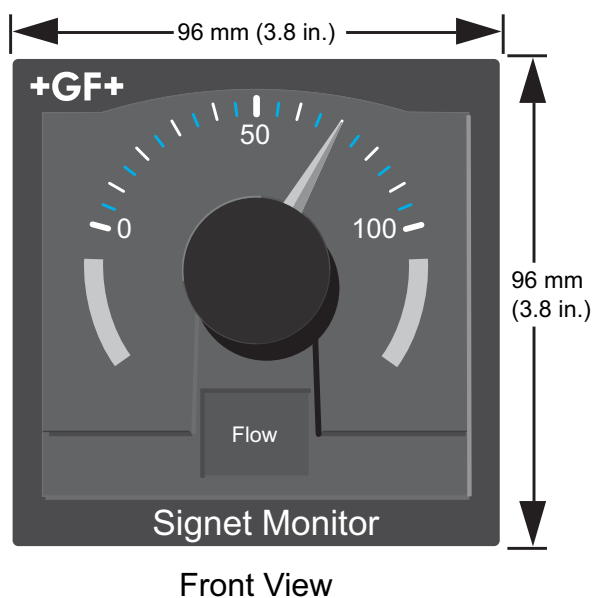
5. Specifications

General
 Operating range: 4 - 20 mA DC

- Materials:
- Enclosure rating: NEMA 4X/IP65 front
 - Dimensions: 1/4 DIN, 96 x 96 x 88 mm (3.8 x 3.8 x 3.5 in.)
 - Case: ABS plastic
 - Panel and case gasket: Neoprene
 - Window: Hard-coated polycarbonate
 - Weight: Approximately 450 g (16 oz.)

- Display:
- Type: Taut-band suspension meter movement, 250° deflection (not suitable for prolonged exposure to vibration)
 - Accuracy: ±2% of full scale
 - Repeatability: ±1% of full scale

Dimensions

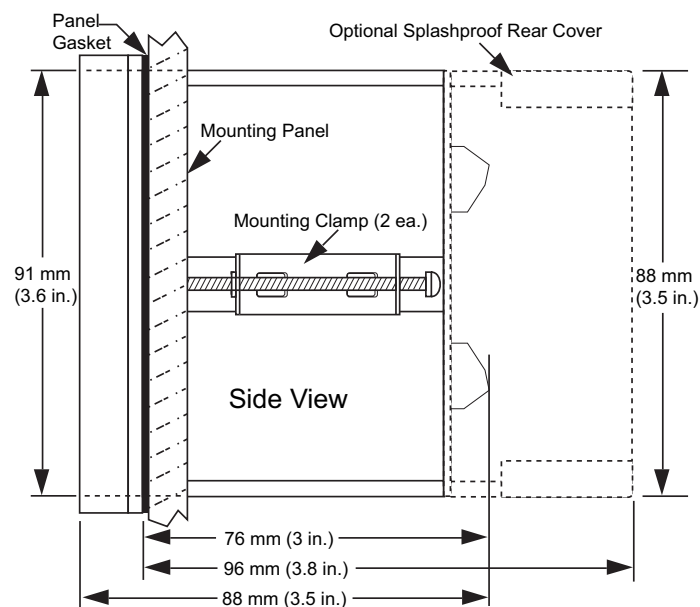


Environmental
 Operating temp.: -10 to 65°C (14 to 149°F)
 Storage temp.: -15 to 80°C (5 to 176°F)
 Relative humidity: 0 to 95%, non-condensing

- Quality Standards
- CE
 - Manufactured under ISO 9001 and ISO 14001

Electrical
 Power: None
 Maximum voltage drop: 2.5 VDC @ 20.00 mA

Noise immunity: EN50082-2
 Noise emissions: EN55011
 Safety: EN61010-1



6. Maintenance

- Front window:
 Never wipe the front window with static retentive cloths such as wool or polyester which may induce a static charge. If a static charge develops on the window, the indication needle may appear erratic or nonfunctional. When this occurs, clean the front window with an antistatic cloth, or a soft cotton cloth and antistatic spray, or a mild liquid soap solution to remove the static charge.
- Case: Clean the instrument case and front panel with a soft cotton cloth dampened with a mild liquid soap solution.

+GF+

George Fischer Signet, Inc. 3401 Aerojet Avenue, El Monte, CA 91731-2882 U.S.A. • Tel. (626) 571-2770 • Fax (626) 573-2057
 For Worldwide Sales and Service, visit our website: www.gfsignet.com • Or call (in the U.S.): (800) 854-4090

